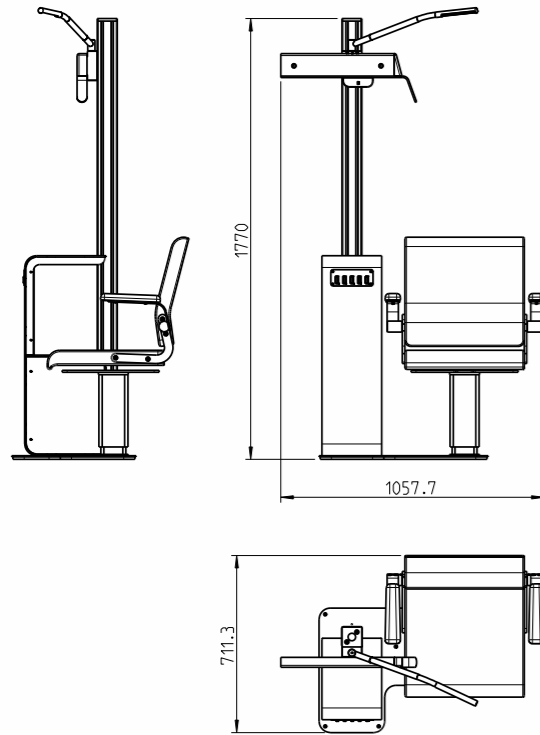


Specification



Basic unit

Available as right oder left hand unit
Electrical lifting column with safety switch
Leatherette seat
Arm rests
Functional column

Seat

Adjustable head rest
Rotatable arm rests
Seat's height ca. 450mm, lift 200mm
Weight carrying capacity seat max. 135kg

Technical data

Weight basic unit: 95 kg
Nominal input voltage: 230VAC
Connected load: 6,3A
Class of Unit: B
Protection Unit: I (MPG 1)
Protection requirement: IP21



cube LITE

Less is just right

Ideas made from quality materials
combined with maximum user comfort.

made in germany



Distribution

Manufacturer / Producer



Wagner & Guder Medical GmbH
Dorfstraße 57
D-99510 Hermstedt / Thuringia
www.wagner-guder-medical.de

cube LITE

Light design

CubeLITE is the little sister in the cube series and impresses with her simplicity.



Less is just right



Minimal design

CubeLITE is a phoropter trial place. It can mount a manual or an automatic phoropter. The phoropter's control elements will be placed at a practical position.

Right oder left

CubeLITE is available as right or left hand unit. A light control can be added.

Linear or tilting

This unit is equipped by a linear phoropterarm. A tilting phoropterarm is also available.

