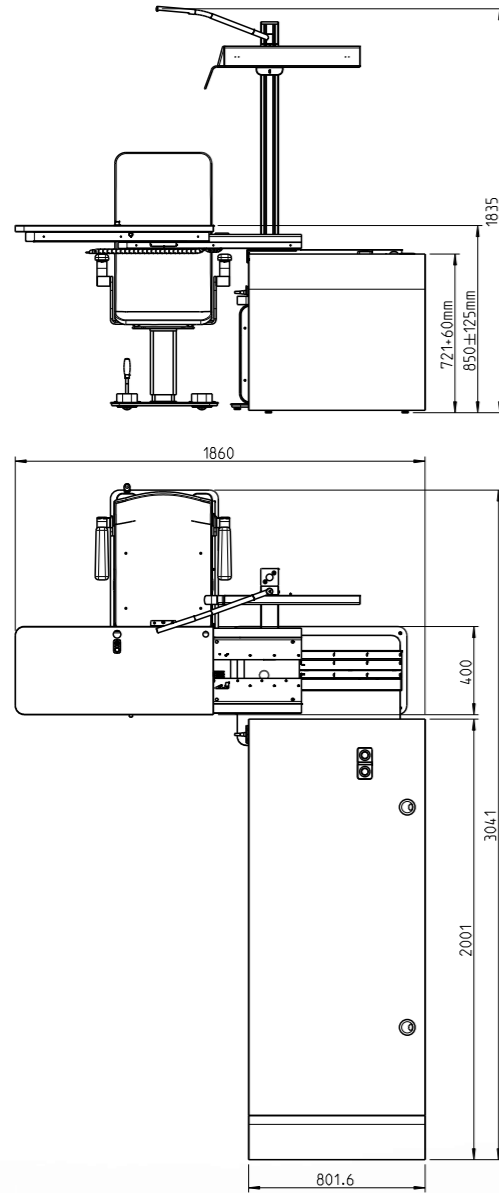


Specification



Basic equipment

- Available as right oder left hand unit
- Two device table
- Electrical lifting column with safety switch
- Leatherette seat
- Rotatable arm rests
- Technical column
- Electrical basic equipment and keypad
- 6VDC and 12VDC dimmable
- Wire managment system

Advanced

- Electromotive table
- Phoropterarm (linear)
- Electromotive phoropter arm
- Reading light
- Monitor mount
- Vertical column for phoropter control
- Desk with drawer for lens box

Seat

- Displaceable seat
- Foot rest simple
- Adjustable head rest
- Inclinable backrest
- Seat's height ca 450mm, lift 200mm
- Weight carrying capacity seat max. 135kg

Technical data

- Weight basic unit: 195 kg
- Weight add-on modules: 35...55kg
- Weight desk 2m: 42kg
- Weight patients' seat: 70...86kg
- Nominal input voltage: 230VAC
- Connected load: 6,3A
- Low voltage supply: 1x 6/12VDC-5A
- Handheld devices supply: 3...6 VDC- 2A
- Class of Unit: B
- Protection Unit: I (MPG 1)
- Protection requirement: IP21
- Weight carrying capacity two device table: 40kg

Distribution

Manufacturer / Producer



Wagner & Guder Medical GmbH
Dorfstraße 57
D-99510 Hermstedt / Thuringia
www.wagner-guder-medical.de

Produced by web-adrett



cube EVO

Accomplishing the next evolutionary level

Revised table system designed for
flexibility and permanent impression
on your working space

made in germany





Accomplishing the next evolutionary level

Light, modern, functional and clear

CubeEVO will fulfill all demands: The ample table top offers plenty of space for your equipment. Hygienic demands are complied. An intelligent wire management system will tidy your working space.



cube EVO

Functionality meets design

This refraction unit combines space, safety and flexibility with a modern design.

Wheel chair friendly

The patients' chair can be rolled aside to make room for a wheel chair. Table and patients' chair are height adjustable.

